



SM100

Utility Track Loader

Do More with Less

In addition to its compact design, the SM100 is comfortable for operators with ergonomic joysticks and reference handles, plush padding, and wide spring-suspension platform for added stability. The strong lift capacity and high hinge pin of the SM100 height allows for easy loading into high sided trucks and dumpsters. The heavy duty undercarriage construction and fast travel speeds means you can do more with less.

Highlights

- Compact Design
- Industry Leading Safety Features
- All Day Comfort

Technical Data

Hydraulic

Flow rate	12.9 gal/mi
Auxiliary relief pressure	3,045.0 psi

Mechanical - Output Details

Ground Pressure (standard track)	2.9 psi
Travel speed	5.2 m/H

Mechanical Details

Overall Length without bucket	84.3 "
Overall Length with Bucket	108.0 "
Overall width without bucket	35.5 "
Height	58.2 "
Bucket Hinge Pin Height	85.7 "
Bucket roll back at ground	25.0 °
Bucket roll back at maximum height	92.0 °
Angle of departure	25.0 °
Bucket dump height at maximum height	62.8 "
Bucket dump angle at maximum height	42.0 °
Operating weight	3,300.3 lb

Track width	9.1 "
Ground clearance	7.8 "
Length of Track on Ground	43.0 "
Dump reach at maximum height	21.9 "

Engine

Cooling	Water-cooling
Cylinder	3.0
Cylinder capacity	77.3 Inch3
Operating power	24.7 hp
Operating Engine speed	2,600.0 1/min
Manufacturer	Yanmar
Engine designation	3TNV80 FT

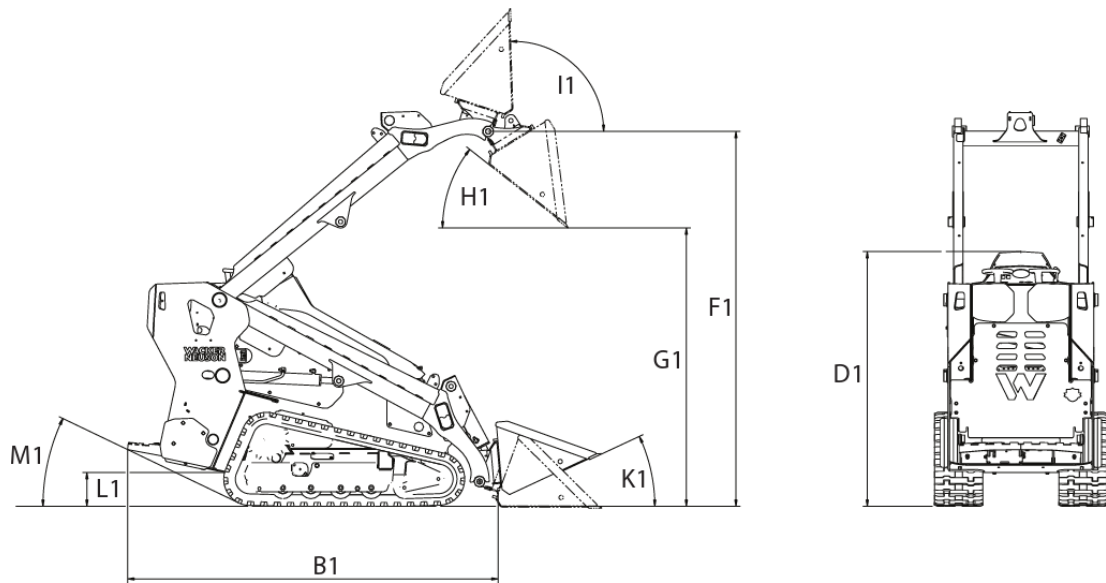
Operating Fluids

Fuel Tank capacity	16.9 gal US
--------------------	-------------

Chassis

Tip Load	2,855.0 lb
Rated Operating Capacity at 50% Tip Load	1,426.4 lb
Rated Operating Capacity at 35% Tip Load	998.7 lb

Dimensions



B1	Overall length without bucket	84.8 in
D1	Overall height	58.2 in
F1	Hinge pin height	85.7 in
G1	Dump height max.	62.8 in
K1	Bucket rollback at ground level	25 °
I1	Bucket rollback at max. stroke height	92 °
H1	Dump angle	42 °
L1	Ground clearance	7.8 in
M1	Angle of departure	25.6 °