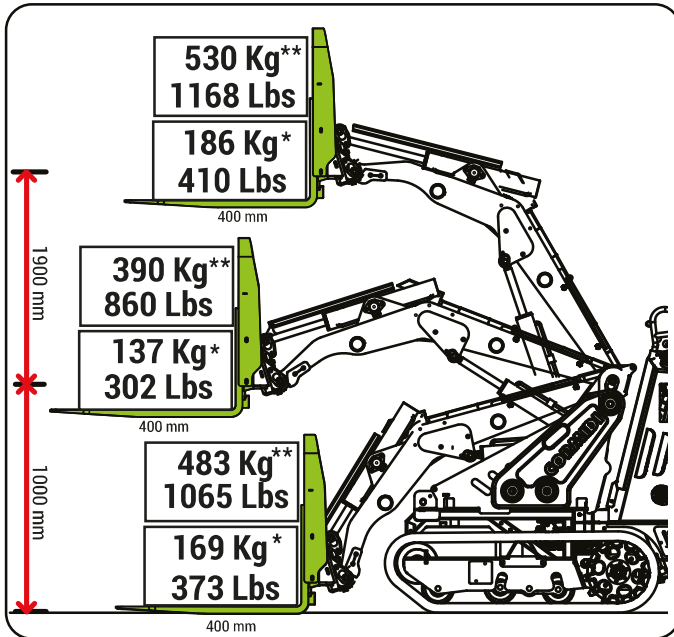


# MINI LOADER (ML)



C85 ML + Counterweight + Forks



\*\* TIPPING LOAD

\* Nominal operating capacity 35%

EN 474-4 standard

