



DT08

Track Dumper

The rental center professional

With its 800 kg payload and only 79 cm machine width, the DT08 is the perfect fit for rental fleets. The low-maintenance and intuitive-to-operate hydrostatic drive system allows simple operation, even for inexperienced operators. At the same time, it is gentle on the subbase due to its wide tracks and the perfectly balanced center of gravity with low ground pressure. The sturdy travel gear design ensures durability and low wear.

Highlights

- Hydrostatic drive
- Small dimensions
- Diesel or gasoline engine

Technical Data

Hydraulic

hydraulikpump	ZRP
Flow rate max.	41.0 l/min

Mechanical - Output Details

Travel speed	4.0 km/h
--------------	----------

Mechanical Details

Length	1,660.0 mm
Width	790.0 mm
Height	1,275.0 mm
Weight	460.00 kg
Payload max.	800.0 kg
skip	Front tip skip
Skip capacity levelled	334.0 l
Skip capacity heaped	387.0 l
Operating weight (min.-max.)	595.0 - 710.0 kg

Engine

Cooling	air cooling
---------	-------------

Motor type	Gasoline engine
Cylinder	1.0
Cylinder capacity	270.0 cm ³
Inclined position max.	20.0 °
Effective power	6.6 KW
Nominal Engine speed	3,600.0 1/min
Manufacturer	Honda
Engine designation	GX270

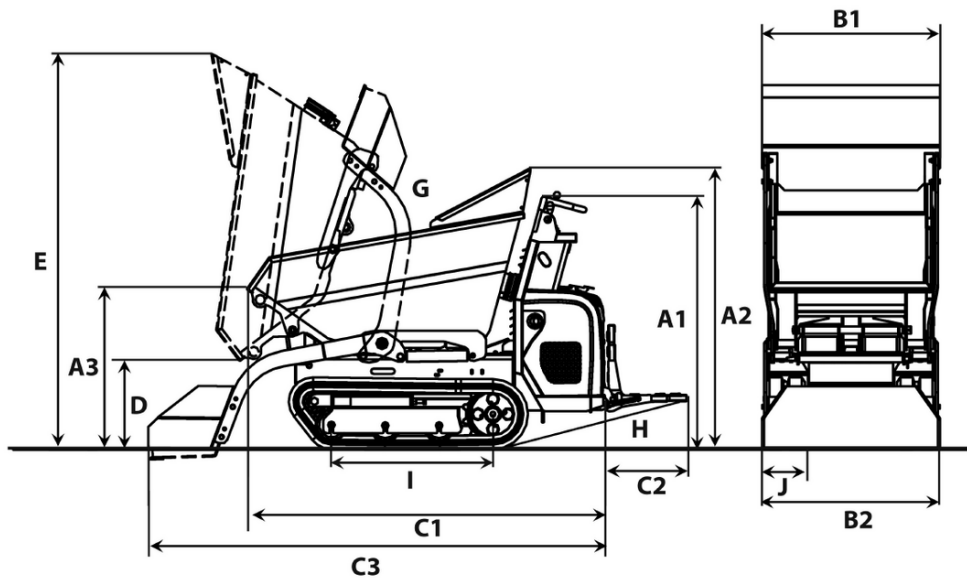
Environment Data

Sound level LpA	87.0 dB(A)
Sound level LpA (Standard)	ISO 6396
Sound power LWA, guaranteed	101.0 dB(A)
Sound power LWA (Standard)	ISO 6395

Shipping and Storage

Shipping weight	520.0 kg
-----------------	----------

Dimensions



A1	Height above operator's stand	1,243 mm
A2	Height over skip hand guard	1,304 mm
A3	Height front edge of skip	750 mm
B1	Width of skip	830 mm
B2	Width of vehicle	800 mm
	Width with self-loading equipment	830 mm
C1	Total length without footboard	1,789 mm
C2	Length footboard	398 mm
C3	Length with self-loading equipment, without footboard	2,264 mm
D	Dumping height max.	410 mm
E	Skip height tilted	1,840 mm
I1	Ground clearance	110 mm
G	Dumping angle	72 °
H	Rollback angle footboard	12 °
I	Length chain stand	769 mm