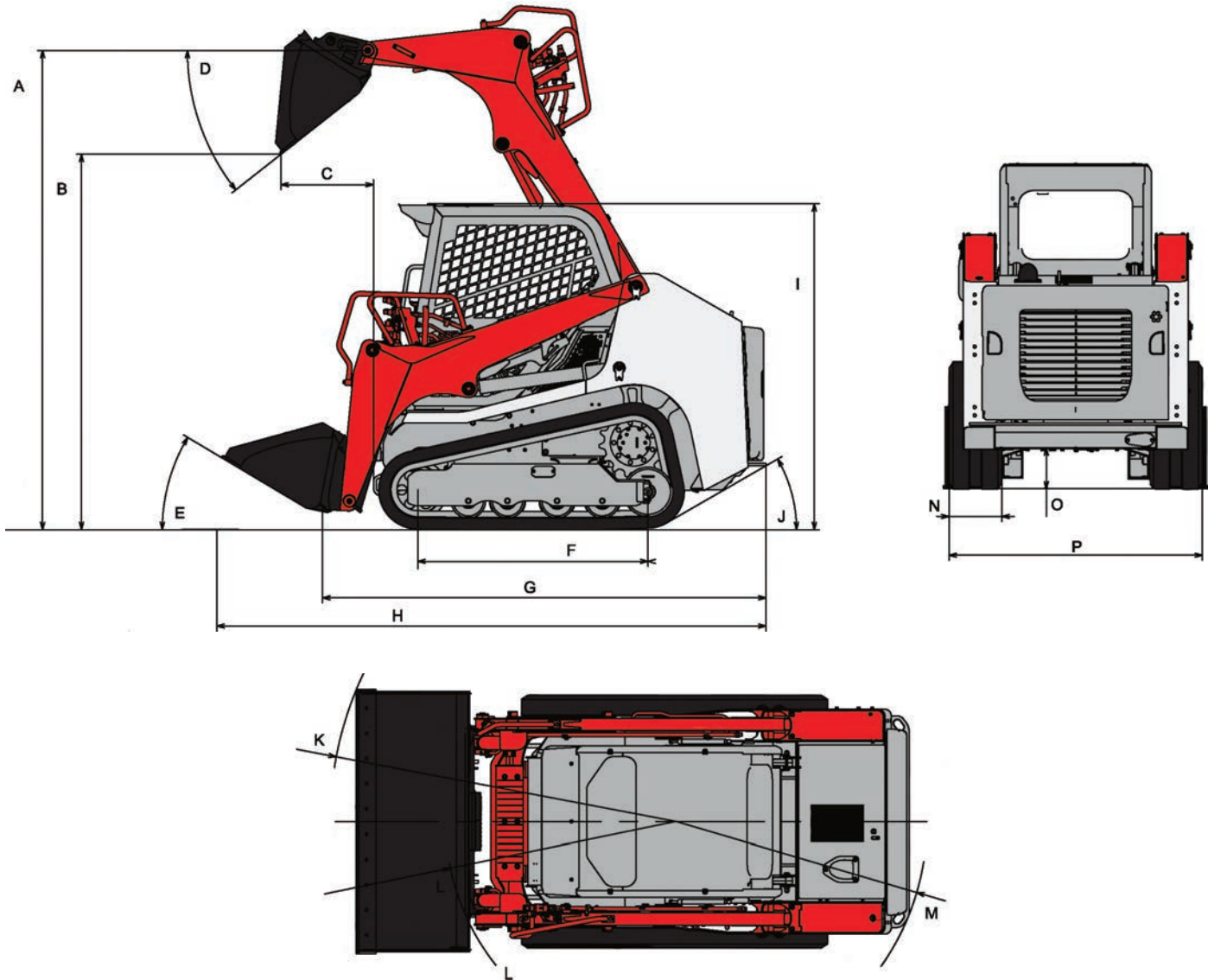


TL6R Compact Track Loader



MACHINE DIMENSIONS

A	Maximum Lift Height to Bucket Pin	9 ft 6.4 in	(2,905 mm)
B	Dump Height Fully Raised	7 ft 5.6 in	(2,275 mm)
C	Dump Reach Fully Raised	1 ft 10.0 in	(560 mm)
D	Dump Angle	38°	
E	Rollback Angle	31°	
F	Track Ground Contact Length	4 ft 6.9 in	(1,395 mm)
G	Machine Length	8 ft 9.9 in	(2,689 mm)
H	Transport Length	10 ft 11.1 in	(3,330 mm)
I	Transport Height	6 ft 5.8 in	(1,975 mm)
J	Departure Angle	30°	
K	Clearance Circle with Bucket	6 ft 10.5 in	(2,095 mm)
L	Clearance Circle without Bucket	4 ft 6.9 in	(1,395 mm)
M	Clearance Circle Rear	4 ft 11.8 in	(1,520 mm)
N	Track Width	12.6 in	(320 mm)
O	Ground Clearance	9.1 in	(230 mm)
P	Overall Width without Bucket	5 ft 0.2 in	(1,530 mm)